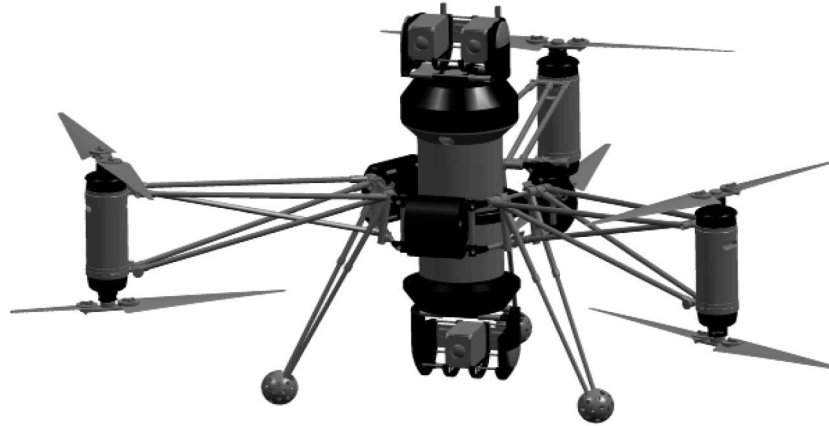


# Team Information

THE CURRENT VALUES IN THE FOLLOWING FORM ARE **EXAMPLES!!!**

**!!! PLEASE replace with your data or delete them !!!**

Picture of vehicle:



Name of vehicle: AR150



Picture of team leader:

Name of team leader: Burkard Wiggerich  
Team Name: AirRobot  
Team E-mail: info@airrobot.de  
Website: www.airrobot.de  
Location: Arnsberg / Germany  
Institution/Company: AirRobot GmbH & Co. KG  
Address: Werler Str. 4  
59755 Arnsberg  
Telephone: ++49 (0) 2932 54774 0  
Fax: ++49 (0) 2932 54774 5

# Team Information

Team Description: The AirRobot GmbH & Co. KG, established in 2005, is an innovative medium-sized company specialized in development, production and marketing of micro and mini UAV systems and belongs to the leading producers of flight platforms for urban areas. The development and production of the products are in correspondence with the latest technology and newest quality standards and had been ISO 9001:2008 certified in 2009.

AirRobot is a high-tech instrument which is, corresponding to the meaning of its deployment and intended purpose, manufactured by meeting very demanding requirements. AirRobot provides after-sales service and technical support for its customers. Efficiency has been proven by many projects and references.

AirRobot is currently producing and marketing light-weight, electrically powered AR100B VTOL (Vertical Take Off and Landing) aerial platform that can be fitted with a number of payloads for surveillance applications, including still cameras, video cameras, and infrared cameras.

Sponsors: ---

Selection of scenario:

1. Reconnaissance and surveillance
2. Camp security

Proof of citizenship: A copy of team leader passport will do (will not be published)!